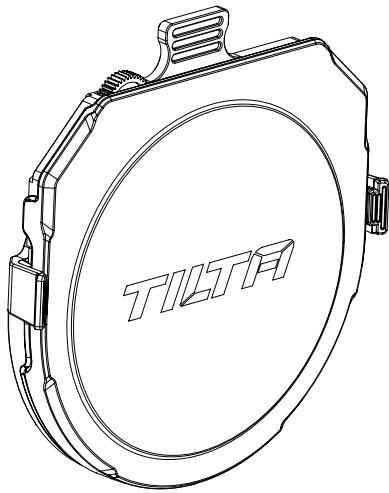
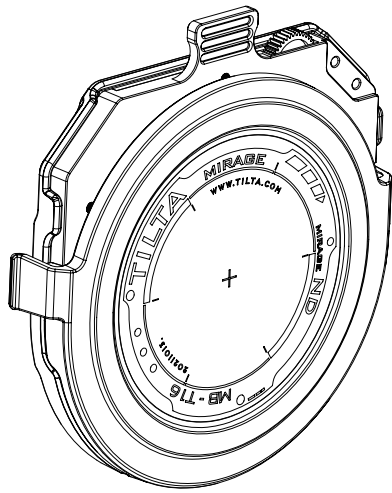


FILTER PROTECTION COVER

TILTA FOR TILTA MIRAGE

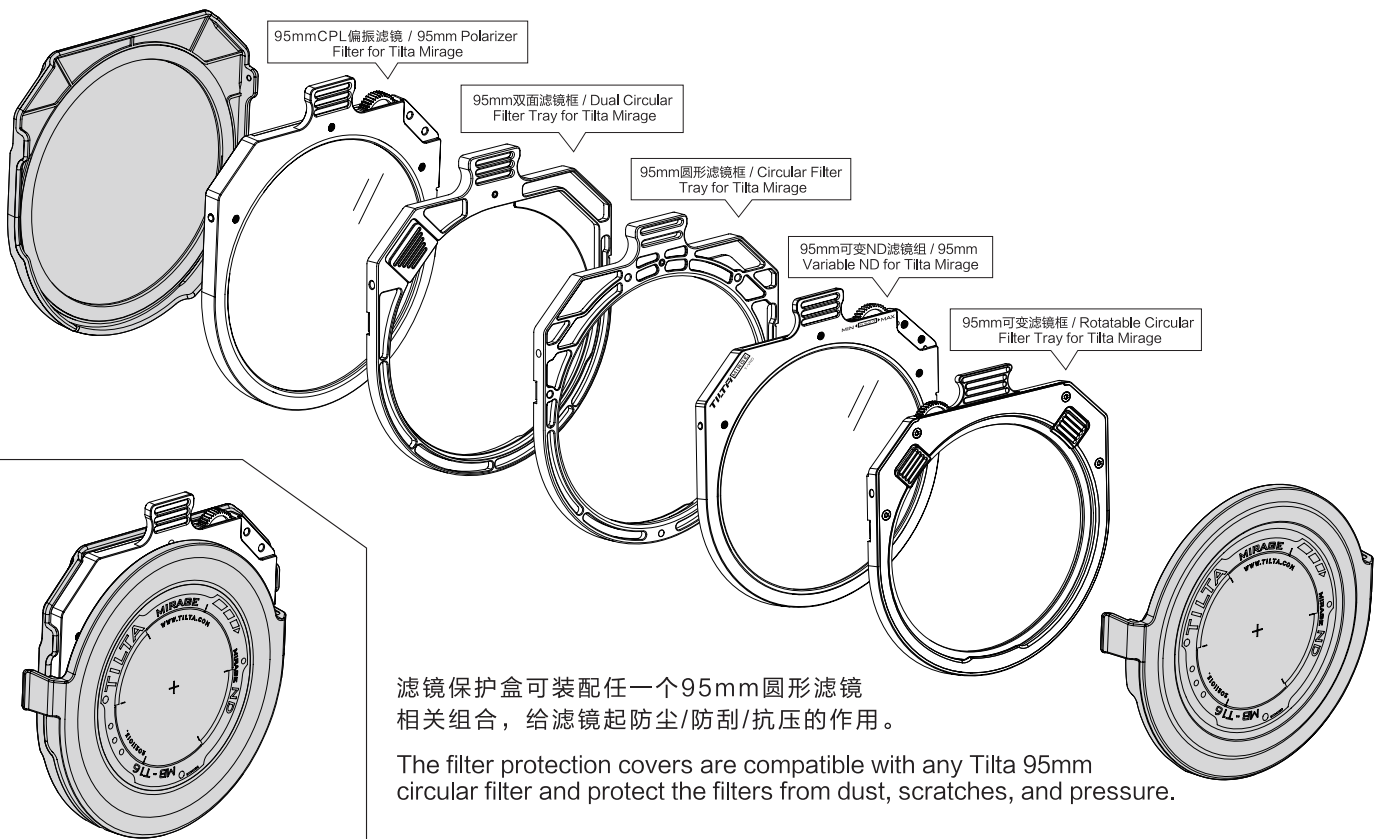


[前壳/Front Cover]



[后壳/Back Cover]

使用滤镜保护盒/INSTALLING THE FILTER PROTECTION COVER FOR TILTA MIRAGE



滤镜保护盒可装配任一个95mm圆形滤镜相关组合，给滤镜起防尘/防刮/抗压的作用。

The filter protection covers are compatible with any Tilta 95mm circular filter and protect the filters from dust, scratches, and pressure.

前壳单独使用状态 / Using the Front Cover Only

前壳可单独对镜头上的95mm圆形滤镜进行保护，防碰撞的作用。

The front cover can be used alone to protect the 95mm circular filter.

