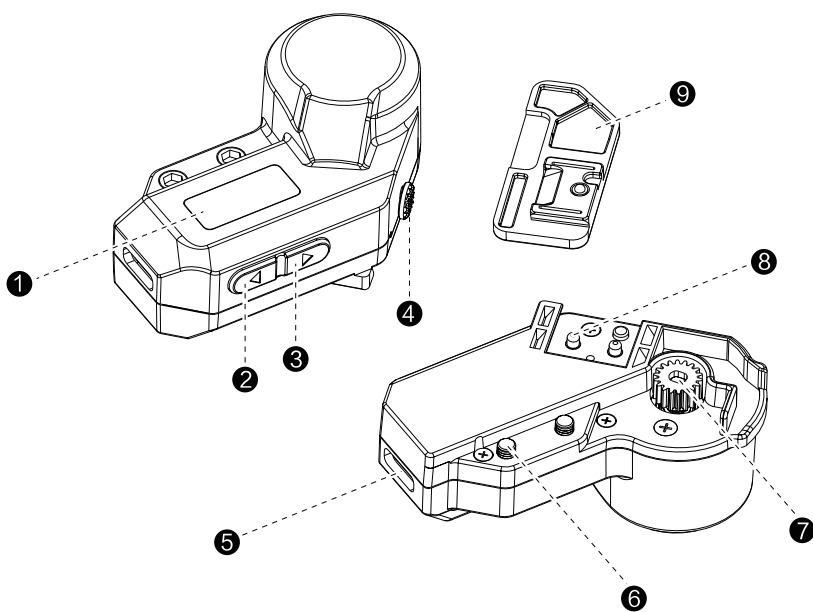


# WIRELESS MOTOR TILTA FOR TILTA MIRAGE



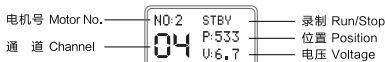
## 认识-VND专用马达 [Wireless Motor for Tilta Mirage Overview]

- |   |                   |                      |                            |
|---|-------------------|----------------------|----------------------------|
| ① 显示屏 (Display)   | ② 向下键 (Down key)  | ③ 向上键 (Up key)       | ④ 锁扣 (Locking toggle)      |
| ⑤ Type-C接口 (USB-C port)   | ⑥ M3螺丝 (M3 screw) | ⑦ 0.4M齿轮 (0.4M gear) | ⑧ 电池仓触点 (Battery contacts) |
| <small>用于升级固件及数据拷贝时使用，亦可输入电压供电(电压5-8.4V) 电流要求在2A以上。<br/>Used for firmware update, data backup, and input power supply (input 5-8.4V, 2A+)</small> |                   |                      |                            |
|   |                   |                      | ⑨ 马达防护盖 (Motor cover)      |

## ▲【向上】键功能说明 [Up Key Functions]

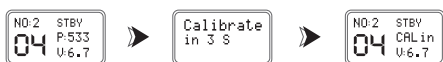
### 通道设置 [Channel settings]

双击【向上】键为通道减 Double click the Up Key to lower channel  
双击【向下】键为通道加 Double click the Down Key to raise channel

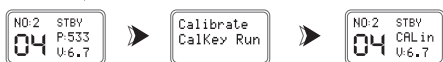


### 自动CAL功能设置 [Auto CAL settings]

方法一：长按【向上】键3S不放，电机进入自动CAL转动(行程检测)。  
Method 1: Long hold "Up" Key for 3 seconds, the motor will enter auto CAL and spin.



方法二：长按【向上】键进入运行界面，再双击【向上】键确定进入自动CAL转动(行程检测)。  
Method 2: Long hold "Up" Key to enter the running interface, then double click "Up" Key to enter auto CAL spin.



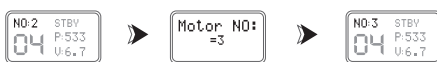
## ▼【向下】键功能说明 [Down Key Functions]

### 开关机设置 [On/Off setting]

长按【向下】键进入开关机  
Long hold "Down" key to enter on/off setting.

### 电机号设置 [Motor No. setting]

3击【向下】键进入电机号选择界面，单击【向上】键为马达号减，单击【向下】键为马达号加，不操作时10秒时自动退出(或者3击【向下】键退出)。  
Triple click the Up or Down Key to enter the motor No. interface. Single click "Up" Key to lower the motor No., and single click "Down" Key to raise the motor No., if no action is executed in 10 seconds, the interface will exit automatically. (Or triple click the Up or Down Key to exit the interface.)



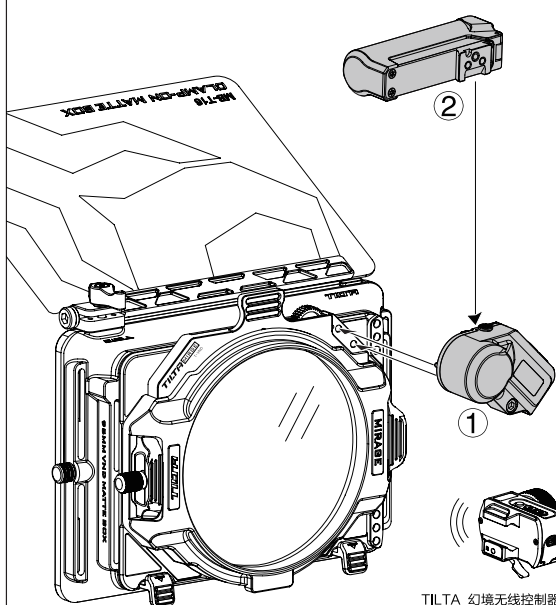
### 功率说明 [Notes on Power]

⚡ 可外挂14500电池仓，电机内部电压升到6.8V左右，Type-C接口同时也输出6.8V电压。  
The motor can be powered by the external 14500 power supply for Tilta Mirage motor. When the motor's voltage is around 6.8V, the USB-C port can output 6.8V power.

⚡ Type-C输入电压适用5V到8.4V供电使用，电流要求在2A以上。  
The USB-C port can input 5-8.4V, 2A.

⚡ 空载电流：100MA电流内左右  
负载电流（滤镜片）：600MA电流内左右  
No-load current: Around 100 mA.  
Load current (with the VND filter): Around 600 mA.

## 专用马达电动控制可变ND [Controlling the variable ND via wireless motor for Tilta Mirage]



### (1) 安装VND专用马达①

Installing ① the wireless motor for Tilta Mirage.

将VND专用马达安装在95mm可变ND滤镜组右上角的两个M3螺丝孔位处即可开机。  
Align the M3 screws on the wireless motor adapter with the M3 screw holes on the variable ND. Turn on the motor.

Align the M3 screws on the wireless motor adapter with the M3 screw holes on the variable ND. Turn on the motor.

### (2) 装配14500电池仓② [选配]

Installing ② the 14500 power supply for Tilta Mirage motor.

在使用14500电池仓供电，将其插入VND专用马达上，内装14500电池可为马达供电。  
To use the 14500 power supply, slide the battery chamber onto the motor.

To use the 14500 power supply, slide the battery chamber onto the motor.



拨开锁扣，可将电池仓或防护盖取出。  
Push the locking toggle to release the power supply or motor cover.

TILTA 幻境无线控制器[选配] Wireless Controller for Tilta Mirage  
TILTA 原力N控制手柄[选配] Nucleus Nano Hand Wheel Controller  
TILTA 原力M控制手柄[选配] Nucleus M Hand Unit

### (3) 使用原力N控制手柄/原力M控制手柄/幻境无线控制器配对马达，都可控制可变ND。

Controlling the variable ND via Nucleus Nano hand wheel controller & Nucleus M hand unit & wireless controller for Tilta Mirage.

如前篇一样配对马达，在稳定器及车拍等移动拍摄时，使用无线控制可变ND，可提高效率和机动性。

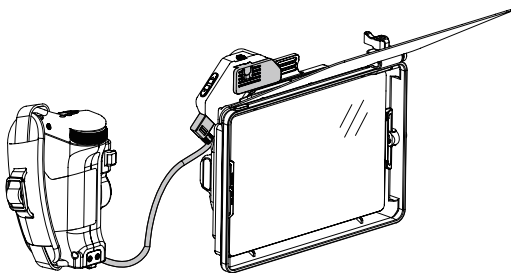
Please refer to the previous page for pairing instructions. While operating moving shots (handheld, gimbal, car mount, etc), controlling the variable ND wirelessly will improve efficiency.

## 外置供电

[External Power Supply]

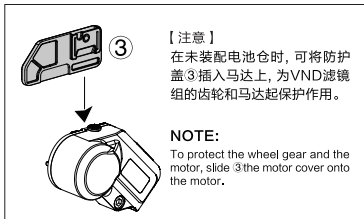
## 使用TILTA 专业跟焦控制手柄可直接通过Type-c接口供电和控制马达

To control via the Tilta advanced focus handle, connect the handle and the motor via the USB-C ports.



在需要使用外置供电时可以通过马达的Type-c接口连接到带供电的设备上(电压5-8.4V)。

To use external power supply, connect the motor to an external device via the USB-C connector (5-8.4V).



【注意】  
在未装配电池仓时，可将防护盖③插入马达上，为VND滤镜组的齿轮和马达起保护作用。

NOTE:  
To protect the wheel gear and the motor, slide ③ the motor cover onto the motor.