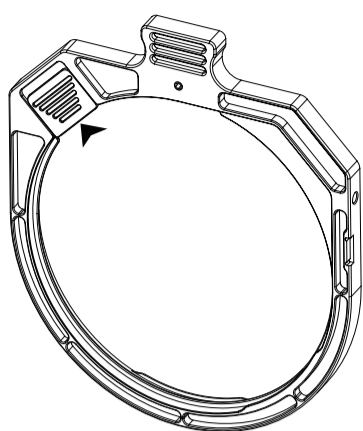
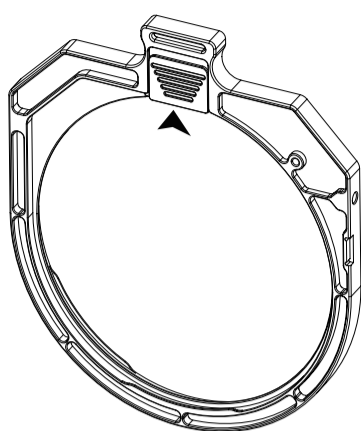


DUAL CIRCULAR FILTER TRAY

TILTA FOR TILTA MIRAGE



[正面/Front]



[背面/Back]

使用95mm双面滤镜框/HOW TO USE THE DUAL CIRCULAR FILTER TRAY

该滤镜框双面均可安装95mm圆形滤镜片。可使用各大厂商推出的95mm圆形系列滤镜，包含有ND减光镜，拉丝/十字/黑柔/白柔等各种效果镜片。

The circular filter tray is for installing a 95mm circular filter. It is compatible with all major filter manufacturers' 95mm circular filters, such as ND filters, streak filters, star-cross filters, black mist filters, white mist filters, etc.

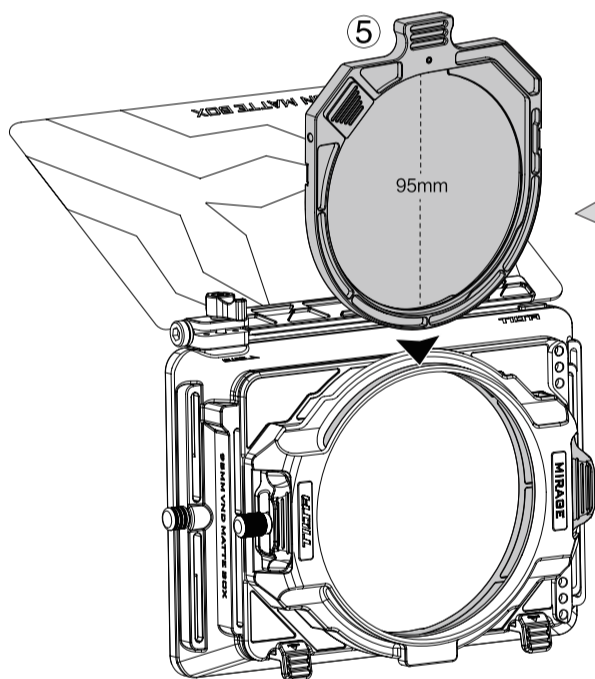
安装 / INSTALLATION:

(1) 将滤镜片放入底部卡槽①并向上拨动卡扣②，待滤镜片放入卡槽内③，再松动卡扣完成装配。

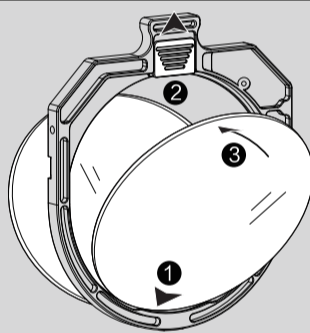
Place the filter into ① the filter tray slot. Pull ② the locking toggle to allow the filter to fit into ③ the filter tray. Release the locking toggle to complete the installation.

(2) 将装好滤镜片的滤镜框按指示④拨动TILTA幻境遮光斗右边的保险扣，可安装或取出95mm双面滤镜框⑤。

Pull ④ the locking toggle to release the filter holder, and slide ⑤ the filter tray with filter into the slot.



安装95mm滤镜片 Installing 95mm Circular Filter



④ 拨开保险扣才能取出滤镜框
Pull the locking toggle to release the filter holder.

搭配95mm滤镜叠加配件和ND滤镜组使用

Pairing with 95mm Stackable Circular Filter Tray & 95mm Variable ND

将装好滤镜片的95mm可变滤镜框①安装在95mm滤镜叠加配件上，再装上②VND载体和塑胶罩体③，拧紧叠加配件的旋钮螺丝④完成装配。

Slide ① the 95mm circular filter tray with filter into the 95mm stackable circular filter tray.

Mount ② the variable ND and ③ the matte box body. Tighten ④ the tie down screws.

